



CPO-3GL

3G/LTE Low Profile Puck Antenna

Features

- Low Profile Puck Antenna
- Screw-Mount
- Supports 3G/LTE operation
- Fully Waterproof when mounted
- Supports LTE at 1800 MHz /2600 MHz

Specifications

Radiating element	1/2 wave Element
Frequency range	1710-2170 / 2500-2700 MHz
Peak gain	3 dBi
Polarisation	Linear
VSWR	<2.5:1
Power rating	10W
Cable / Connector	SMA-Male
Dimensions	102 x 33.5mm (dxh)

Ordering Options

FCPO35238-SM-1K	CPO-3GL with 1M RG-174 and SMA-Male
FCPO35238-FM-2K	CPO-3GL with 2M RG-174 and FME-Female
FCPO35238-SM-2K	CPO-3GL with 2M RG-174 and SMA-Male

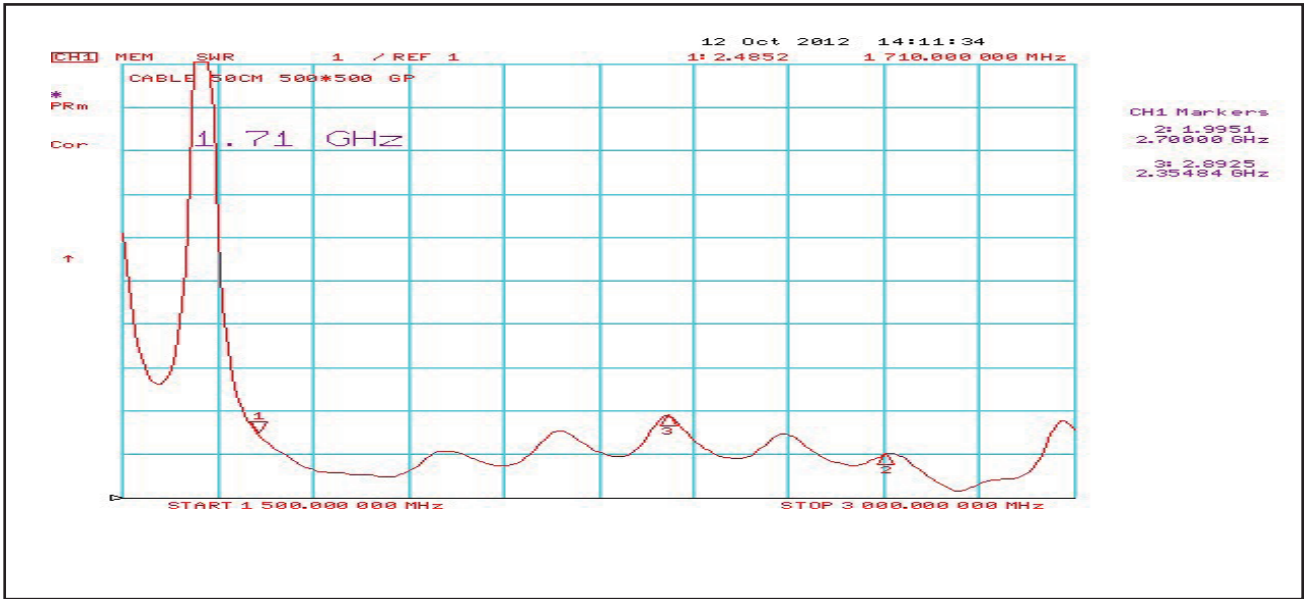
Specifications subject to change without notice.

5 Little Balmer
Buckingham Industrial Park
Buckingham
MK18 1TF
UK

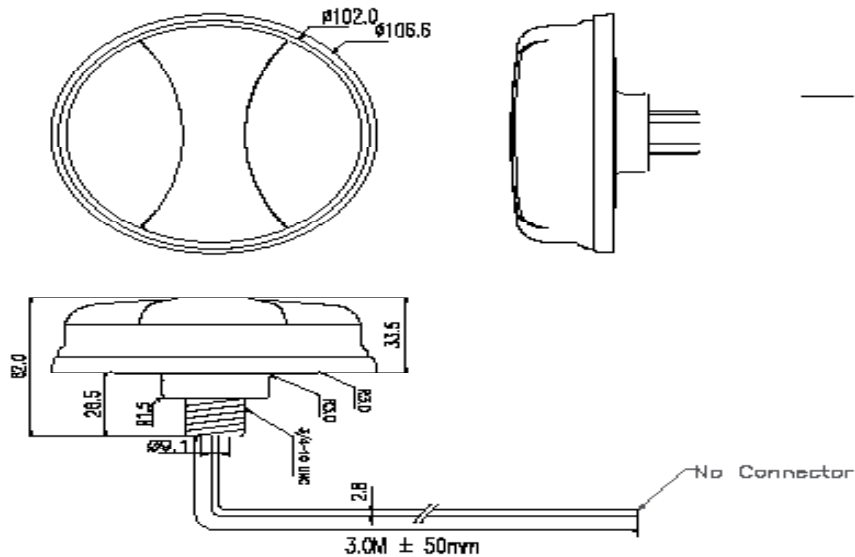
Tel: +44 (0)1280 824055
Fax: +44 (0)1280 817179
Email: sales@ead-ltd.com
Web: www.ead-ltd.com

CPO-3GL | 3G/LTE Low Profile Puck Antenna

VSWR



Outline Drawing



Specifications subject to change without notice.

5 Little Balmer
Buckingham Industrial Park
Buckingham
MK18 1TF
UK

Tel: +44 (0)1280 824055
Fax: +44 (0)1280 817179
Email: sales@ead-ltd.com
Web: www.ead-ltd.com