

Private Mobile Radio

Covert Vehicle Dipole Antenna



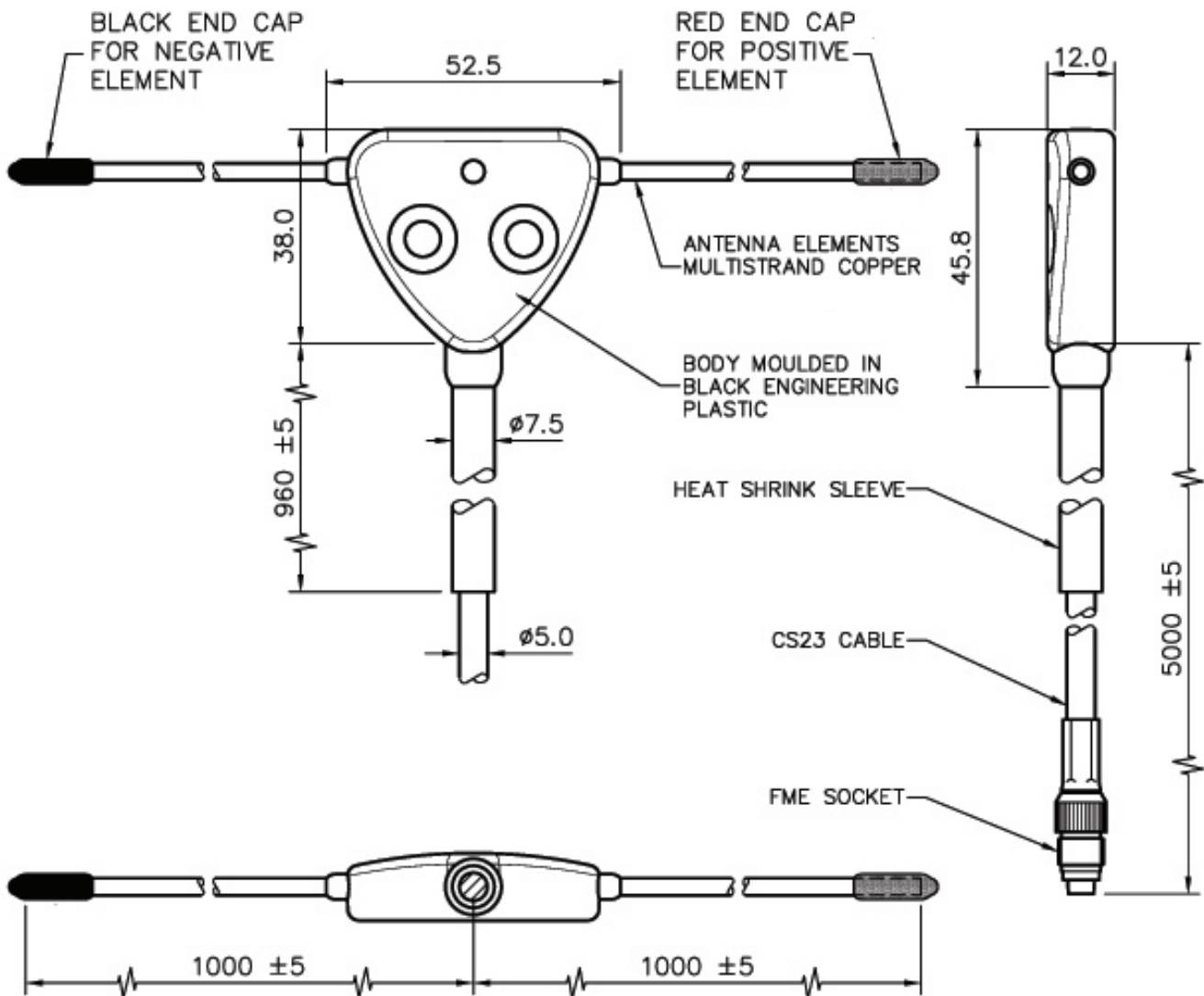
- Dipole construction
- Covert bumper mounting
- Flexible wire elements for easy positioning

The covert vehicle dipole antenna is specifically designed for installations where the presence of an antenna must be undetectable.

This specialist antenna can be tuned across a range of frequencies from VHF and UHF when fitted simply by cutting down the radiating elements. Tuning on the vehicle ensures that a good VSWR match can be achieved in the installed location [with a bandwidth of approximately 8% of centre frequency.]

Technical Drawing

Covert Vehicle Dipole Antenna



Product Data

Part No.		VCD-VL-5F	VCD-VH-5F	VCD-S1-5F	VCD-S2-5F	VCD-S4-5F
Electrical Data						
Frequency Range (MHz)		68-88	130-175	380-400	410-430	450-470
Typical Tuned Bandwidth @2:1 VSWR				8%		
Peak Gain: Isotropic				2dBi (In free space)		
Compared to ¼ wave				0dB		
Impedance				50Ω		
Max Input Power (W)				100		
Mechanical Data						
	Antenna element combined length uncut	2000 (78.7")	1000 (39.3")	330 (13")	300 (12")	290 (12")
Dimensions (mm)	Length			38 (1.5")		
	Width			52.5 (2")		
	Diameter			12 (0.5")		
Operating Temp (°C)				-40°/+80°C (-40°/176°F)		
Body	Material			TPE		
	Colour			Black		
Positive antenna element	Material			Insulated multi strand copper wire		
	Colour			Red		
	Cap colour			Red		
Negative antenna element	Material			Insulated multi strand copper wire		
	Colour			Red		
	Cap colour			Black		
Cable Data						
Type				CS23		
Length (m)				5 (17')		
Diameter (mm)				5 (0.2")		
Termination				FME socket (other connectors & adaptors available)		
Mounting Data						
Fixing				Bumper/Wing		